

imagine
extraordinary

A modern, multi-story building with a prominent glass garage door. The building's facade is a mix of dark blue panels and vertical wood slats. The garage door is large and multi-paned, reflecting the surrounding environment. The foreground shows a paved patio area with green decorative lines. The sky is clear and blue.

ES | Garage Doors

ES-PGD3040 | ES-PGD3020

The **ES-PSD3040** garage doors blend cutting-edge design with high-durability materials, providing an aesthetic and functional solution for residential spaces. Their robust structure, combined with an efficient and quiet opening system, ensures comfort and security with every use.

Designed for homeowners seeking the perfect balance between elegance and functionality. Ideal for those who prioritize home security without compromising on style.

Features:

- Sophisticated design with modern and customizable finishes.
- Maximum security thanks to advanced locking technology.
- Superior resistance to impacts, extreme weather, and corrosion.
- Quiet operation with optimized opening and closing mechanisms.





ES-PGD3040

Technical Details

Performance & Highlights

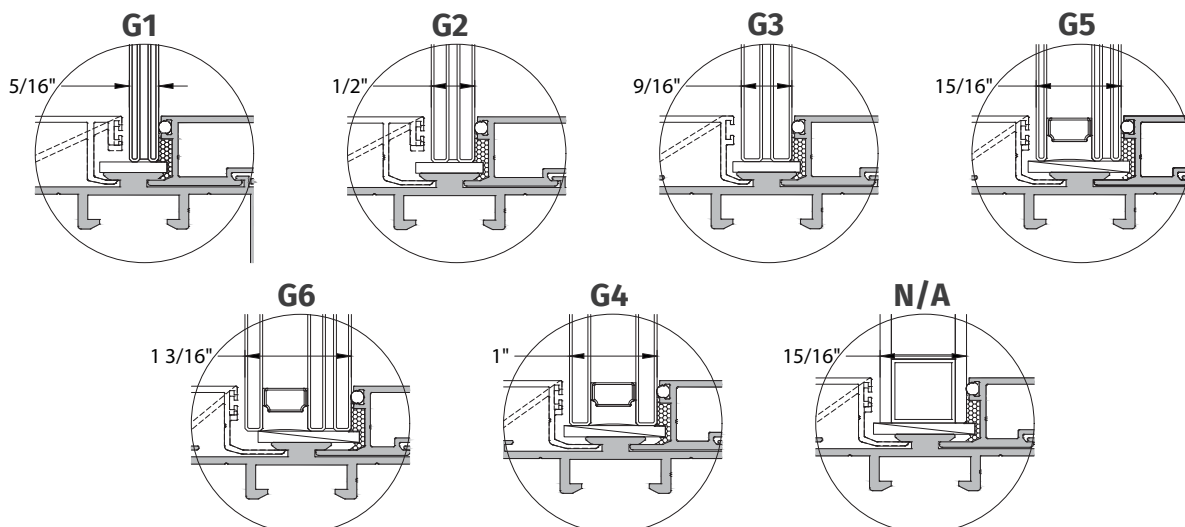
- **Frame depth:** 3"
- **Sightline:** 4 1/2"
- Designed for 5/16", 7/16", 9/16" laminated, insulated laminated, and insulated
- **Maximum size:** 240" Width x 274 1/2" Height

Features

- Long lasting silicone weather-seals
- Stainless steel hardware components
- Premium nylon rollers with 3/4" stainless steel shaft
- Industrial grade stainless steel cables (5/32" & 3/16")
- Innovative panel-to-panel anti-deflection interlocking system
- Heavy-duty full angle tapered track (powder coated track options available)
- Available in multiple lite configurations (max single lite 144")
- Internal reinforcement adds maximum strength without sightline interference

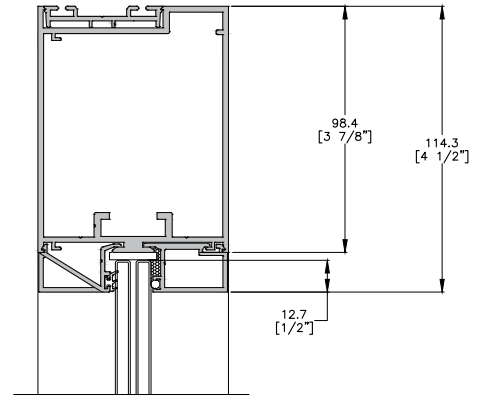


Glass Options

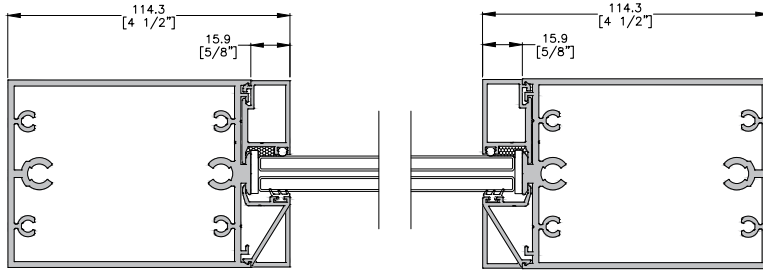




System Details

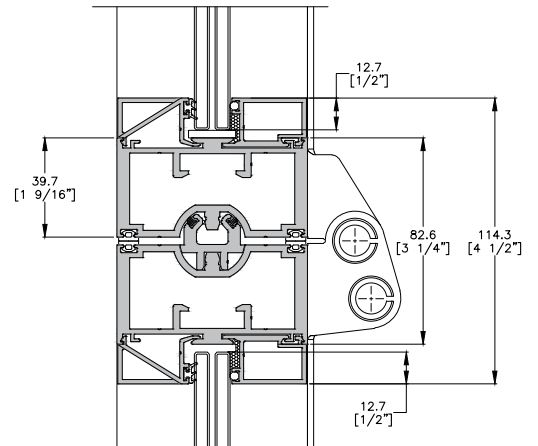


1 TOP RAIL

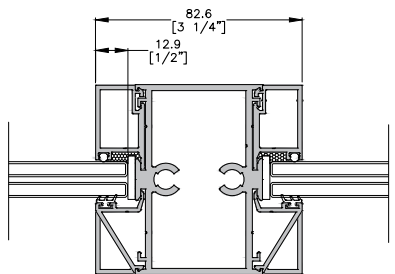


4 LEFT VERTICAL

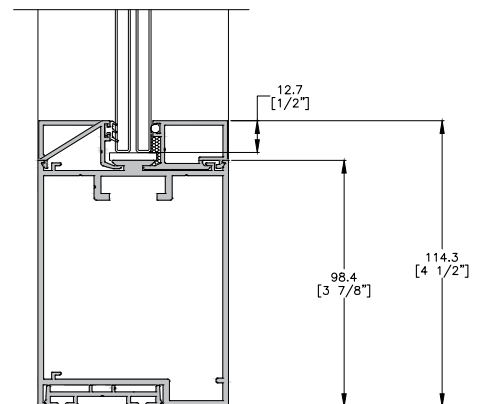
6 RIGHT VERTICAL



2 HORIZONTAL INTERMEDIATE



5 VERTICAL INTERMEDIATE



3 BOTTOM RAIL



The **ES-PGD3020** garage doors offer a sleek and modern solution for residential spaces, combining refined aesthetics with reliable performance. Designed with slim aluminum profiles and advanced glazing options, this system delivers a clean architectural look while ensuring smooth and quiet operation.

Designed for homeowners seeking contemporary design, flexibility, and functionality without compromising quality or safety.

Features:

- Slim profile design for a clean, modern aesthetic.
- Captured and SSG configurations for enhanced design flexibility.
- Compatible with laminated, insulated, and insulated-laminated glass.
- Quiet and smooth operation with premium hardware components.





ES-PGD3020

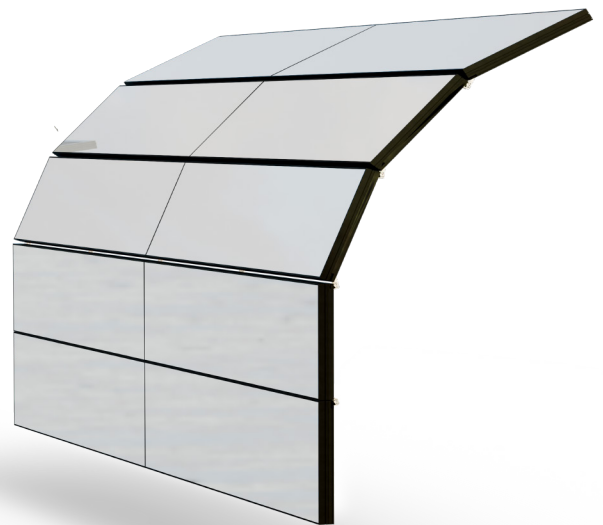
Technical Details

Performance & Highlights

- **Frame Depth:** 1 7/8" (Captured) | 2 3/4" (SSG).
- **Sightline:** Slim 3 1/2" sightline for captured system; the SSG configuration features a sleek frameless aesthetic for a clean, modern look.
- **Maximum Panel Size:** 240" wide × 274 1/2" high.

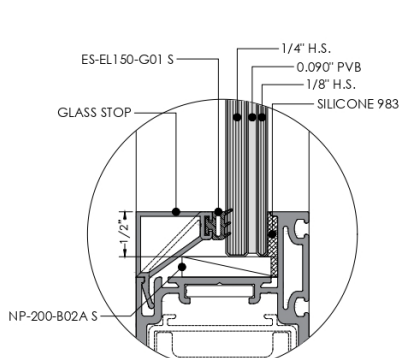
Features

- **Glazing Compatibility:** Engineered to accommodate laminated, insulated, and insulated-laminated glass for superior performance and versatility.
- **Weather Performance:** Long-lasting **high-performance silicone weather-seals** provide exceptional protection against air and water infiltration.
- **Hardware Quality:** Built with **proprietary galvanized components**, ensuring unmatched durability, precision, and corrosion resistance. (Stainless Steel Upgrade Option Available.)
- **Smooth Operation:** Premium nylon rollers with 3/4" **galvanized shafts** ensure effortless, quiet movement and extended lifespan.
- **Industrial Strength:** Heavy-duty **stainless steel cables** (available in 5/32" and 3/16" diameters) and the **industry's only 3/4" roller stem**, delivering the **highest bending and deflection resistance rating** in its class.
- **Advanced Engineering:** Features a **patented panel-to-panel anti-deflection interlocking system**, ensuring seamless alignment, enhanced rigidity, and long-term structural integrity.
- **Track System:** Offered in **2" or 3"** configurations with a **full-angle tapered track design**. **Powder-coated finishes** are available for enhanced aesthetics and durability. (Available in Low-Headroom, Standard, High-Lift, and Vertical Lift Applications)
- **Design Flexibility:** Available in multiple lite configurations with a **maximum single lite size of 144"**, enabling bold architectural expressions.
- **Reinforced Structure:** The **interior face reinforcement** is crafted from the same **high-strength aluminum** and finished with a **matching paint coating** for a uniform appearance. This reinforcement is **standard for HVHZ (High Velocity Hurricane Zone) markets**, ensuring superior strength under extreme conditions.

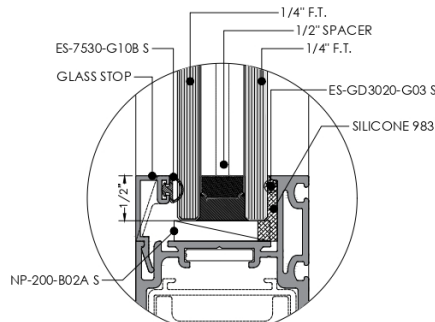




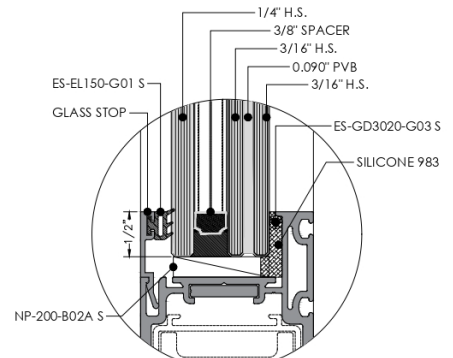
Glass Options



GLASS TYPE - G1
NOM. 7/16" (0.444")

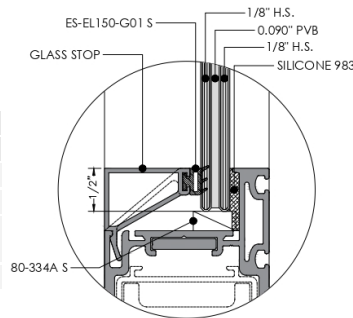


GLASS TYPE - G2
NOM. 1" (1")

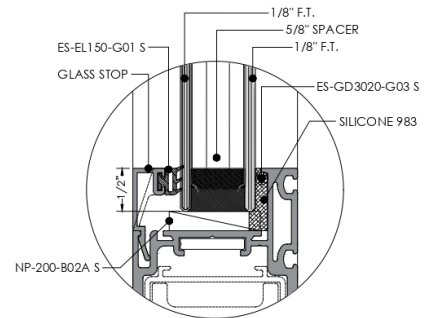


GLASS TYPE - G3
NOM. 1 1/16" (1.090")

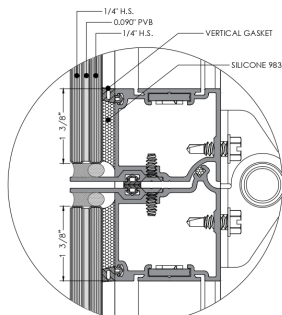
GLAZING OPTIONS SSG	
DESIGN	COMPOSITION
G1	1/4" H.S + 0.090" PVB + 1/8" H.S.
G2	1/4" F.T + 1/2" SPACER + 1/4" F.T.
G3	1/4" H.S + 3/8" SPACE + 3/16" H.S. + 0.090" PVB + 3/16" H.S.
G4	1/8" H.S. + 0.090 PVB + 1/8" H.S.
G5	1/8" F.T. + 5/8" SPACE + 1/8" F.T.



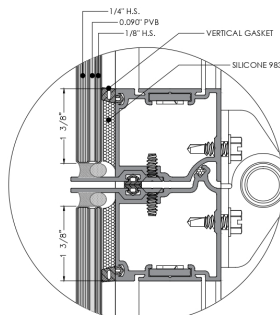
GLASS TYPE - G4
NOM. 5/16" (0.326")



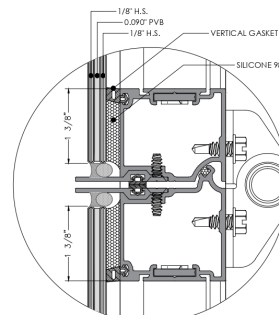
GLASS TYPE - G5
NOM. 7/8" (0.888")



GLASS TYPE - G6
NOM. 9/16" (0.5625")



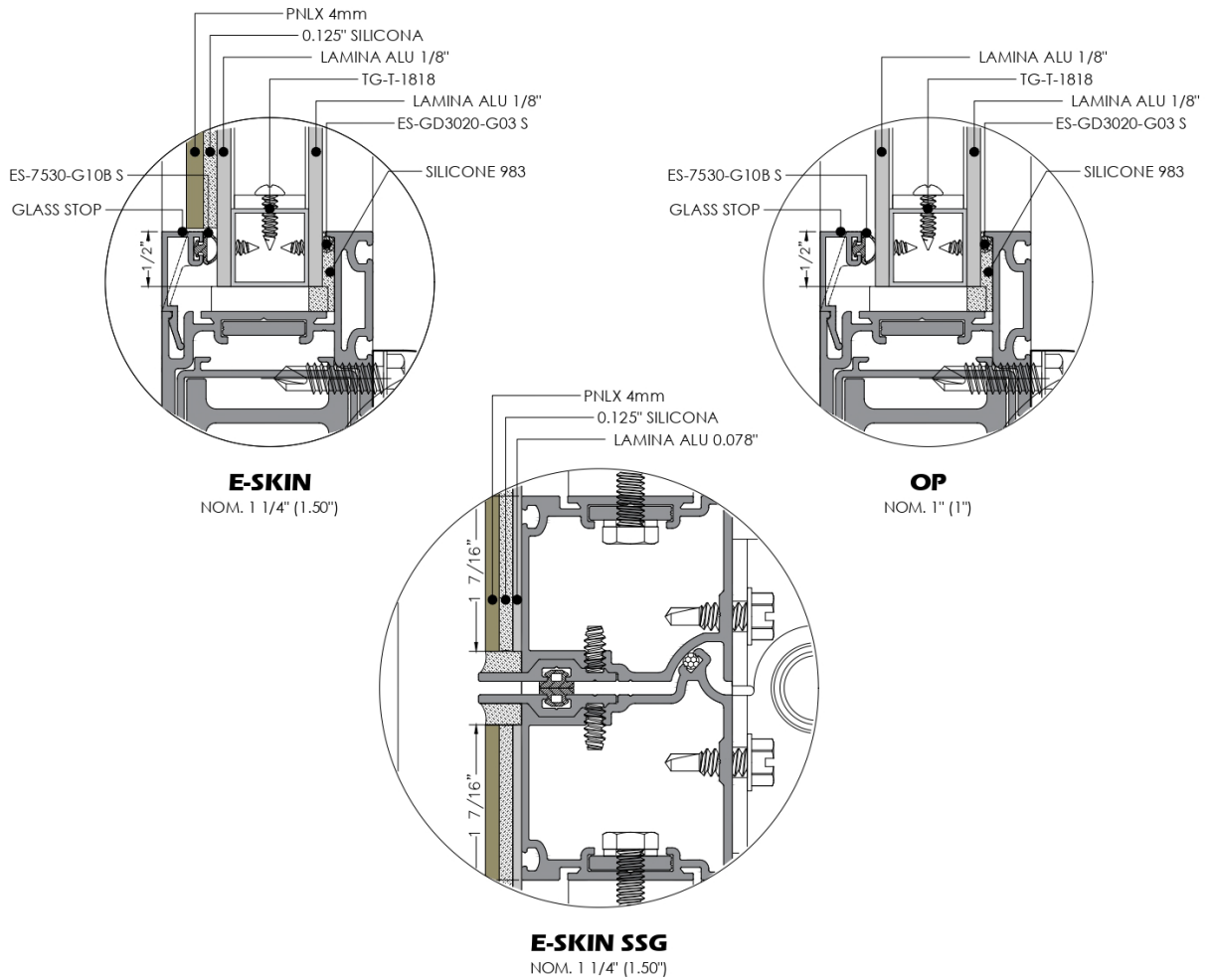
GLASS TYPE - G7
NOM. 7/16" (0.445")



GLASS TYPE - G8
NOM. 5/16" (0.340")

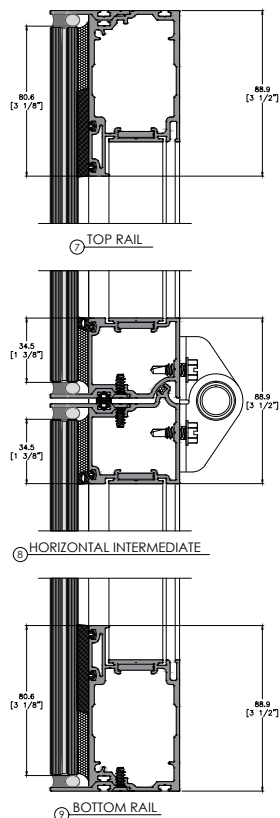
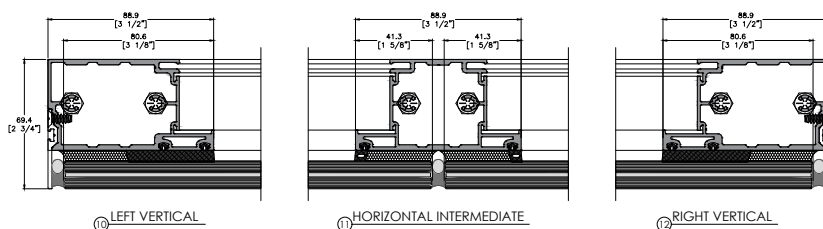
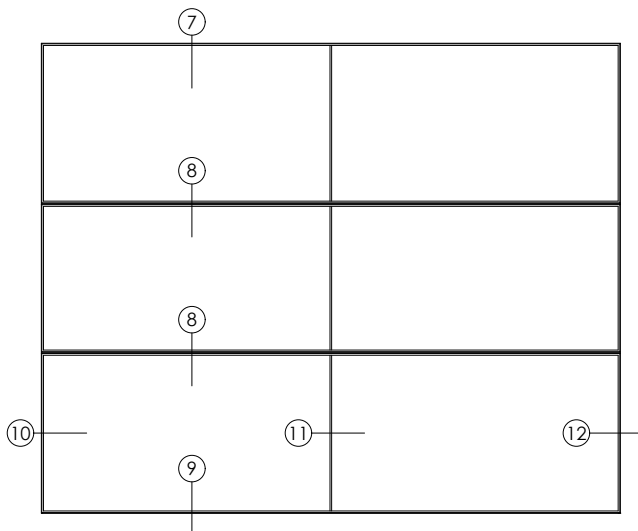
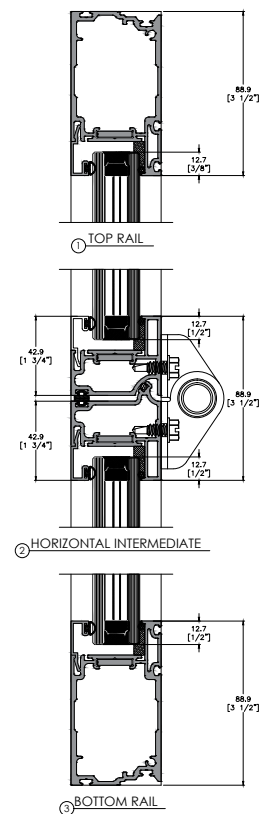
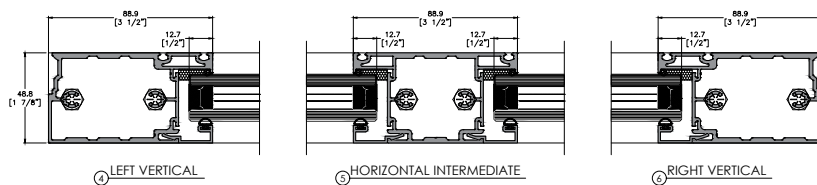
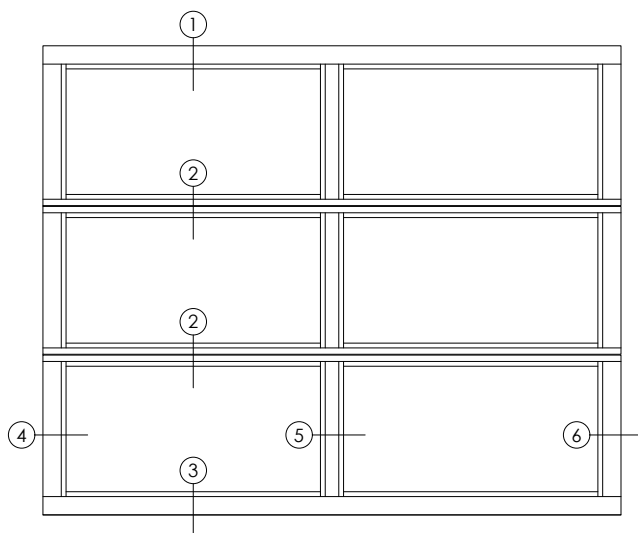
GLAZING OPTIONS SSG	
DESIGN	COMPOSITION
G6	1/4" H.S + 0.090" PVB + 1/4" H.S.
G7	1/4" H.S + 0.090" PVB + 1/8" H.S.
G8	1/8" H.S + 0.090" PVB + 1/8" H.S.

Glass Options



GLAZING OPTIONS E-SKIN	
DESIGN	COMPOSITION
E-SKIN	PNLX 4mm + 0.125" SILICONA + LAMINA ALU 1/8" + TG-T-1818 + LAMINA ALU 1/8" + 0.125" SILICONA + PNLX 4mm
E-SKIN SSG	PNLX 4mm + 0.125" SILICONA + LAMINA ALU 0.078"
OP	LAMINA ALU 1/8" + TG-T-1818 + LAMINA ALU 1/8"

System Details





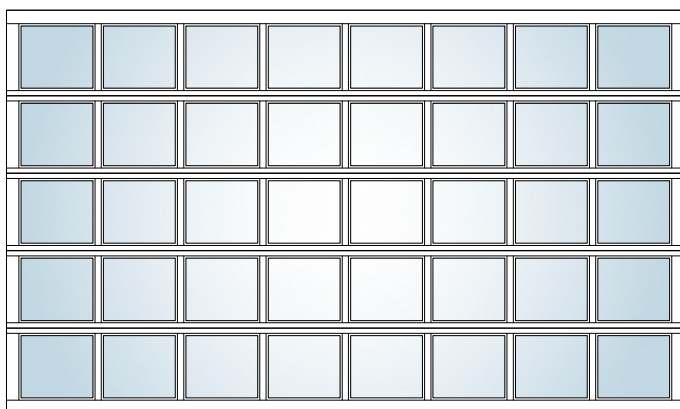
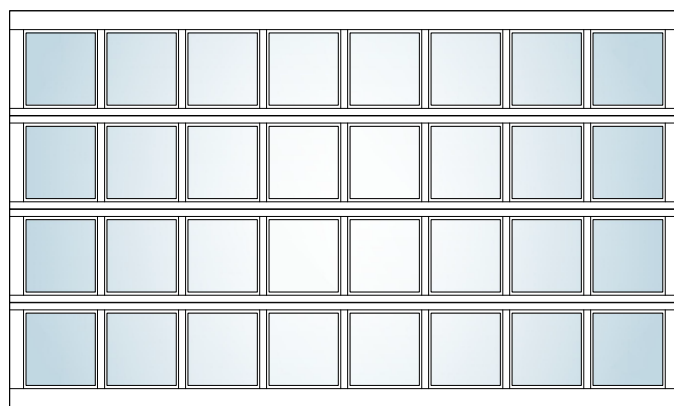
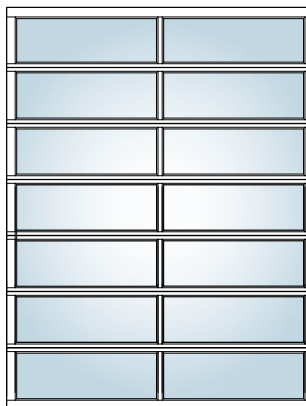
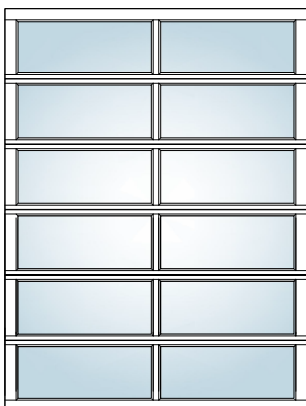
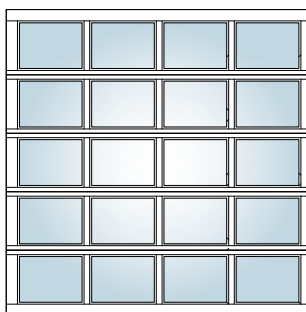
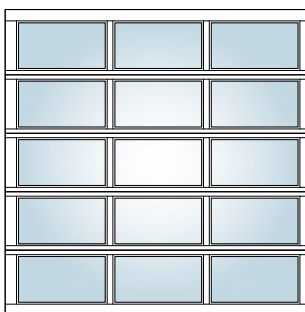
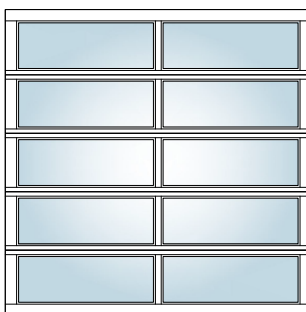
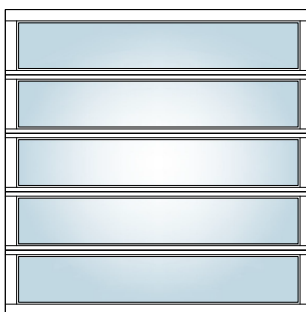
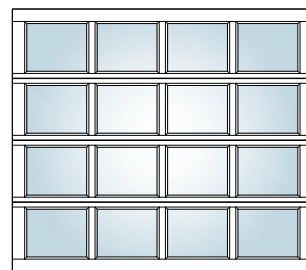
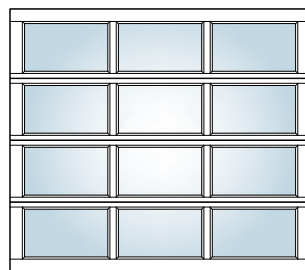
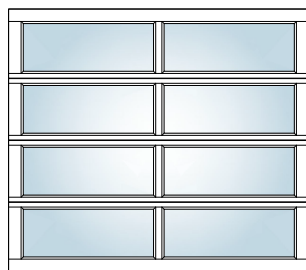
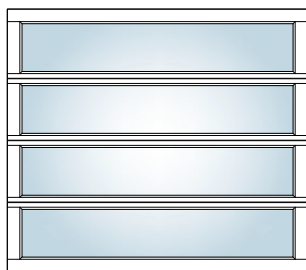


Innovation Security & Style in Every Detail

Sizes

TOTAL SECTION	MAX FRAME WIDTH (INCH)	MAX FRAME HEIGHT (INCH)
4	240	112 1/2
	216	124 1/2
5	240	139 1/2
	216	154 1/2
6	240	166 1/2
	216	184 1/2
7	240	193 1/2
	216	214 1/2
8	240	220 1/2
	216	244 1/2
9	240	247 1/2
	216	274 1/2

Configurations



Our garage doors are fully customizable. Depending on the size, you can define the number of sections and lites to suit your unique style and architectural needs.

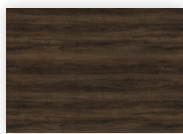
Colors and Finishes

ESKIN

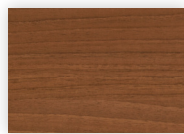
Wood finishes*



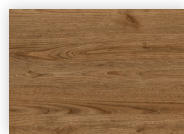
Cypress Cinnamon
1490



Royal Walnut
1536



Noce Canella
1561



Spiced Chestnut
1517



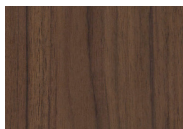
Sea White
1502



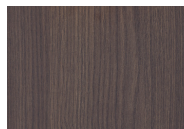
Rovere Fiumo
1462



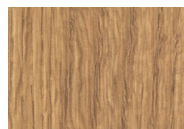
Century Oak
1554



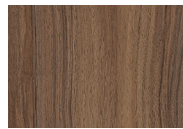
Italian Walnut
1513



Brown Oak
1836



Ontario Oak
1540

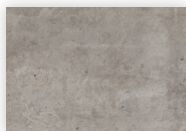


Noce Havana
1555

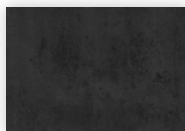
*Wood orientation:

Full panel and UP designs feature a vertical grain direction, while DOWN designs feature a horizontal grain direction.

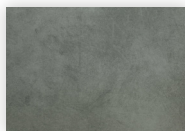
Metallic & Solid Panels



Industrial Concrete
3127



Mineral Steel
3166



Grey Slate
3156



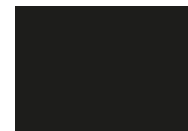
Urban Concrete
3124



Corten Metallic
3179



Metalized 2047



Cinder

Scan
ESKIN Brochure



COLOR OPTIONS

For Frames, Decorative Muntins & Tiers



Bronze

White

Silver

Dark Gray

Black

WOODGRAINS*



Mahogany

DS721 SU + 81441/01 L4

Nogal

DS733 SU + 81806/05 L4

Teka

DS733 SU + 82601/01 L4

White Oak

DS745 SU + 82513/04 L4

Pine

17G-916-A040 + 81406/01 L4

Golden Pecan

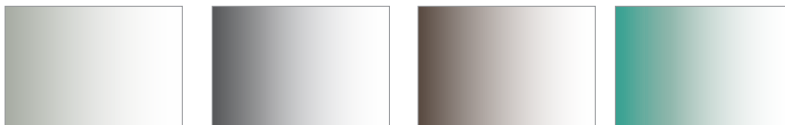
17G-937-A040 + 81407-01 L4

Olive

DS718S + 81109/04 L4

Tone variations may occur in wood profiles or claddings. Applies only to painted aluminum, not ESkin systems.

GLASS COLORS



Clear

Gray

Bronze

Solex

Design.
Quality.
Luxury.



The information contained herein is exclusive property of ES, who reserves the right to modify it, including but not limited to the designs and its specifications, without notice.
2026 ES. All rights reserved.
V - January 2026

